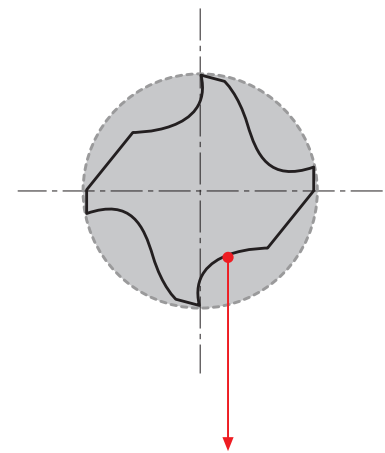
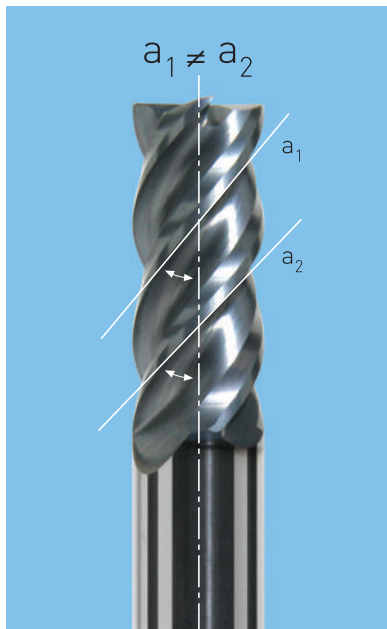


ExtraCut



Improved chip disposal with the special flutes geometry and the irregular helix angle.

Anti-vibration end mills

Helix Tools has started to produce a new generation of EC and ECS series anti-vibration tools. The EC and ECS series use a new flute geometry that improves chip disposal properties. They also use irregular pitch flutes in combination with varied helix angles that significantly reduces the occurrence of vibration when machining, leading to higher reliability and smoother surface finishes. Due to these advantages and use of the new coating technology they can be used effectively for machining difficult to cut materials. They have two times tool life than the other standart types.

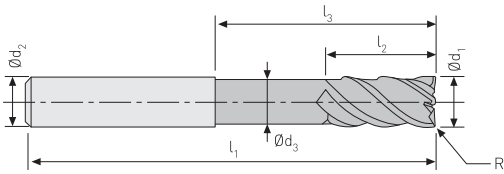
ECS604R

Solid Carbide End Mills ExtraCut - Shank

Application Range

- Unalloyed Steels
- Machining Steels
- Low Alloy Steels
- Stainless Steels
- Heat Resistant Materials
- Titanium and Titanium Alloys
- Cast Iron
- Hardened Materials
- Aluminium Alloys
- Copper and Copper Alloys
- Plastics
- Graphite

HELIX TOOLS



Order Code	d ₁ mm h10	l ₁ mm	l ₂ mm	l ₃ mm	d ₂ mm h6	d ₃ mm	R	z
ECS604R-0600 ATN	6	70	7	33	6	5.6	0.5	4
ECS604R-0800 ATN	8	80	9	43	8	7.5	0.5	4
ECS604R-1000 ATN	10	90	11	43	10	9.5	0.5	4
ECS604R-1200 ATN	12	100	13	51	12	11.4	1.0	4
ECS604R-1600 ATN	16	115	17	66	16	15.4	1.0	4



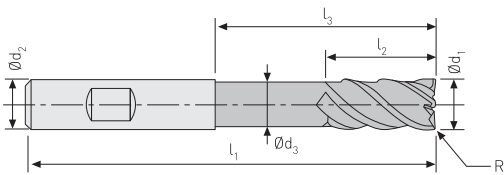
ECS614R

Solid Carbide End Mills ExtraCut - Shank, With Weldon Shank

Application Range

- Unalloyed Steels
- Machining Steels
- Low Alloy Steels
- Stainless Steels
- Heat Resistant Materials
- Titanium and Titanium Alloys
- Cast Iron
- Hardened Materials
- Aluminium Alloys
- Copper and Copper Alloys
- Plastics
- Graphite

HELIX TOOLS



Order Code	d ₁ mm h10	l ₁ mm	l ₂ mm	l ₃ mm	d ₂ mm h6	d ₃ mm	R	z
ECS614R-0600 ATN	6	70	7	33	6	5.6	0.5	4
ECS614R-0800 ATN	8	80	9	43	8	7.5	0.5	4
ECS614R-1000 ATN	10	90	11	43	10	9.5	0.5	4
ECS614R-1200 ATN	12	100	13	51	12	11.4	1.0	4
ECS614R-1600 ATN	16	115	17	66	16	15.4	1.0	4

